

Congratulations on purchasing our One touch milk frother. Each unit is manufactured to ensure safety and reliability. Before using this appliance for the first time, please read the instruction manual carefully and keep it for future reference.

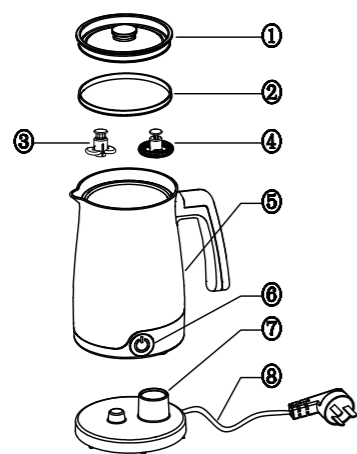
## IMPORTANT SAFEGUARDS

When using any electrical appliance, basic safety precautions should always be followed including the following:

1. Please read the instructions carefully before using any appliance.
2. Always ensure that the voltage on the rating label corresponds to the mains voltage in your home.
3. Incorrect operation and improper use can damage the appliance and cause injury to the user.
4. The appliance is intended for household use only. Commercial use invalids the warranty and the supplier can not be held responsible for injury or damage caused when using the appliance for any other purpose than that intended.
5. Avoid any contact with moving parts.
6. This appliance is not intended for use by persons (including children) with reduced physical, sensory or mental capabilities, or lack of experience and knowledge, unless they have been given supervision or instruction concerning use of the appliance by a person responsible for their safety.
7. Children should be supervised to ensure that they do not play with the appliance.
8. Check the power cord and plug regularly for any damage. If the cord or the plug is damaged, it must be replaced by the manufacturer or a qualified person in order to avoid an electrical hazard.
9. Do not use the appliance if it has been dropped or damaged in any way. In case of damage, take the unit in for examination and/or repair by an authorised service agent.
10. To reduce the risk of electric shock, do not immerse or expose the motor assembly, plug or the power cord to water or any other liquid.
11. Never immerse the unit in water or any other liquid for cleaning purposes.
12. Remove the plug from the socket by gripping the plug. Do not pull on the cord to disconnect the appliance from the mains. Always unplug the unit when not in use, before cleaning or when adding or removing parts.

13. The use of accessory attachments that are not recommended or supplied by the manufacturer may result in injuries, fire or electric shock.
14. A short cord is provided to reduce the hazards resulting from becoming entangled in or tripping over a longer cord.
15. Do not let the cord hang over the edge of a table or counter. Ensure that the cord is not in a position where it can be pulled on inadvertently.
16. Do not allow the cord to touch hot surfaces and do not place on or near a hot gas or electric burner or in a heated oven.
17. Do not use the appliance on a gas or electric cooking top or over or near an open flame.
18. Use of an extension cord with this appliance is not recommended. However, if it is necessary to use an extension lead, ensure that the lead is suited to the power consumption of the appliance to avoid overheating of the extension cord, appliance or plug point. Do not place the extension cord in a position where it can be pulled on by children or animals or tripped over.
19. This appliance is not suitable for outdoor use. Do not use this appliance for anything other than its intended use.
20. DO NOT carry the appliance by the power cord.
21. Do not leave this appliance unattended during use. Always unplug the unit when not in use or before cleaning.
22. Always operate the appliance on a smooth, even, stable surface. Do not place the unit on a hot surface.
23. Ensure that the switch is in the "Off" position after each use.
24. The manufacturer does not accept responsibility for any damage or injury caused by improper or incorrect use, or for repairs carried out by unauthorised personnel.
25. In case of technical problems, switch off the machine and do not attempt to repair it yourself. Return the appliance to an authorised service facility for examination, adjustment or repair. Always insist on the use of original spare parts. Failure to comply with the above mentioned pre-cautions and instructions, could affect the safe operation of this machine.
26. Always allow the unit to cool to room temperature before using it again.

## PARTS DIAGRAM

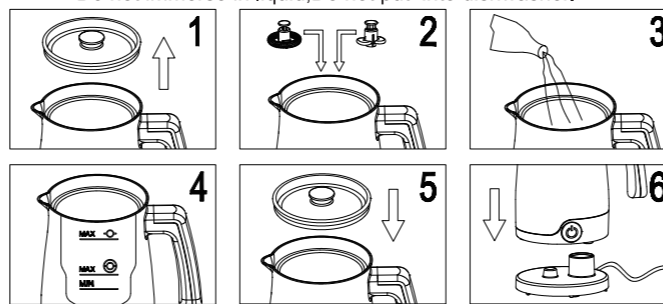


1. Top lid
2. Silicon ring
3. Mixer
4. Whisk
5. Jug
6. On/Off switch
7. Power base
8. Power cord

## OPERATING INSTRUCTIONS

- Open the top lid. (figure1)
- To froth milk:
  - Place the whisk paddle into the Jug. (figure2)
  - Fill the Jug with milk. (figure3), make sure not to EXCEED the indicated MAX level (100ml). (figure4)
- To Mix a drink in the frother:
  - Place the mixer paddle into the Jug. (figure2)
  - Fill the Jug with milk. (figure3)
  - Don't EXCEED indicated Maximum level (about250ml) (figure4).
  - Cover the Lid. (figure5)
  - Place the Jug on the power base and plug in the power supply. (figure6)
  - Press the switch to start the unit.Indicator light will turn on.
- After whipping/mixing, the unit will stop automatically, and the indication light will turn off. Enjoy!
- There will be a layer of creamy residue on the internal wall of the jug after use. Make sure to clean the appliance immediately after use, as the creamy layer may slow down heat transfer and impair performance of the machine.

**NOTE:** After each use wash the inner side of the machine off to avoid milk stains.  
Do not immerse in liquid;Do not put into dishwasher.



## CLEANING AND MAINTENANCE

- ALWAYS clean the appliance immediately after every use
- Unplug the cable after every use.
- Allow the appliance to cool down to room temperature before you use it.
- Separate the jug from the power base before cleaning.
- Make sure to take out the attachments from the jug before cleaning it.
- Wash the inside of the jug with hot water.  
*Never use aggressive or abrasive cleaning agents and materials. Never use sharp or abrasive object that could damage the non-stick coating of the jug. Make sure you completely remove the entire milk residue from the inside of the jug.*
- Dry with a soft cloth.
- Clean and wipe the outside body of the jug with a soft,damp cloth.
- This appliance is intended for household-use only.
- Do not open or change any parts yourself. Please contact manufacturer if servicing is required.
- Always remember to unplug the unit from the electrical outlet when not in use and before cleaning. Ensure that the speed control is set to "0".

- It is much easier to clean the accessories immediately after use. Wash them in warm soapy water,rinse ,and dry well.
- The body of the appliance and the stand should be cleaned with a damp cloth. Do not let water enter the appliance or the stand.
- Do not immerse the appliance in water or any other liquid, or hold it under a running tap to clean.
- To remove stubborn spots/marks wipe the surface with a cloth slightly dampened in soapy water or a mild non-abrasive cleaner.Rinse and dry with a soft cloth.

## STORING THE APPLIANCE

- Unplug the unit from the wall outlet and clean all the parts as instructed above. Ensure that all parts are dry before storing.
- Store the appliance in its box or in a clean, dry place.
- Never store the appliance while it is still wet or dirty.
- Never wrap the power cord around the appliance.

## SERVICING THE APPLIANCE

There are no user-serviceable parts in this appliance.If the unit is not operating properly please check the following.

please check the following:

- You have followed the instructions correctly
- That the unit has been wired correctly and that the wall socket is switched on.
- That the plug is firmly in the outlet.

If the appliance still does not work after checking the above:

- Consult the retailer for possible repair or replacement.If you need to return the appliance please make sure that.
- The unit is packed carefully back into its original packaging.
- Proof of purchase is attached.
- A reason is provided for why it is being returned.

## TECHNICAL DATA

Please choose the right voltage as written on the bottom label of the appliance and use the power supply accordingly.

AC220-240V 50-60Hz 400W  
AC120V 60Hz 400W  
AC100V 60Hz 400W